

VD810 - Compact Vacuum Meter Piezo, Data Logger

Absolute Pressure 2000 to 1 mbar

Relative Pressure -1060 to +1200 mbar



Overview VD800-series vacuum meters

- Big graphic display
- Intuitive menu-driven handling
- Direct graphical visualization of pressure curves
- Integrated data logger for saving multiple measurement series with RTC data
- Storage of minimum and maximum pressures achieved during measurement
- Automatic switch-off or continuous operation
- Optical and acoustical alarm when reaching a predefined threshold
- Charging per standard USB-C cable
- Quick and easy data-transfer to PC, tablet, or smartphone via USB-C or wireless via Bluetooth® LE (optional)
- Pressure units: mbar, Torr, hPa
- Selectable menu language
- Adjustable logging rate of 20 ms to 60 s for fast processes
- VacuGraph™-Software: To read-out data logger, and to visualize, analyze, and save measurements

Overview VD810 vacuum meter

- Chemically resistant ceramic sensor with FKM sealing, suitable for rough industry environment
- Measurement of absolute and relative pressure
- Gas-type independent measurement
- Insensitive against contamination
- Long battery performance of min 1000 hours

VD810 - Compact Vacuum Meter Piezo, Data Logger

Absolute Pressure 2000 to 1 mbar

Relative Pressure -1060 to +1200 mbar

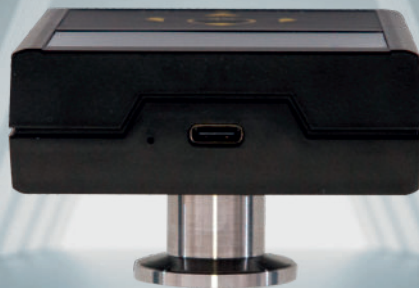
Technical Data

Measurement Principle	Piezo resistive, independent of gas type
Measurement Range	Absolute pressure 2000 - 1 mbar (1500 - 1 Torr) Relative pressure max. -1060 ... +1200 mbar (-795 ... +900 Torr) (depending on ambient pressure)
Max. Overload	4 bar absolute
Accuracy	Absolute pressure: 0.25% f. scale end Relative pressure: 0.3% f. span
Repeatability	0.1% f. scale end +1 digit
Resolution	1 mbar
Materials With Vac. Contact	Stainless steel 1.4305, Al ₂ O ₃ ceramic, FKM
Logging Rate	20 ms ... 60 s
Environment	Interior, degree of contamination max. PD 2 / Rel. humidity max 80% up to 30 °C, max. 50% up to 40 °C / non-condensing
Operating Temperature	+5...+50 °C
Storage Temperature	-20...+60 °C
Power Supply	5 VDC via USB-C
Operating Time	Internal Li-battery: > 1000 h
Interfaces	USB 2.0, optional Bluetooth® LE
Vacuum Connection	DN 16 ISO-KF, G1/4 thread
Display	graphic display, resolution 400 x 240
Protection Class	IP40
Weight	250 g

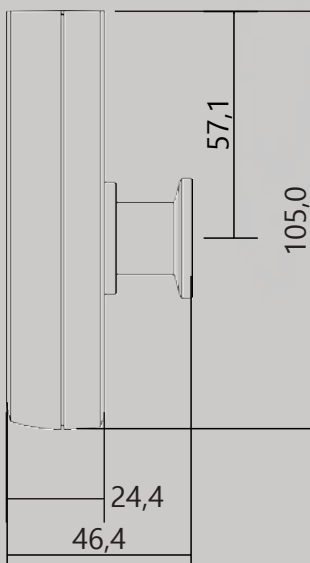
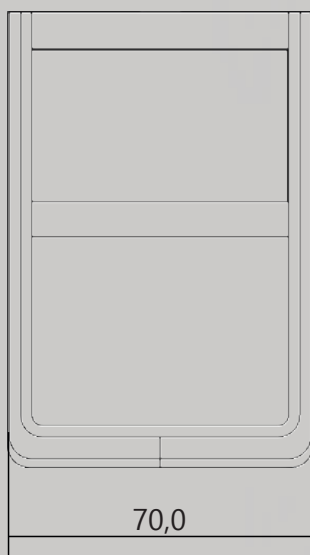
VD810 - Compact Vacuum Meter Piezo, Data Logger

Absolute Pressure 2000 to 1 mbar

Relative Pressure -1060 to +1200 mbar



Dimensions in mm



Model designations

- VD810 Compact vacuum meter
DN 16 ISO-KF flange
incl. WUSB_AC001
- VD810BT Compact vacuum meter
DN 16 ISO-KF flange
Bluetooth® LE
incl. WUSB_AC001

Accessories

- VD800CASE protective plastic case
- VD800SH silicone protective cover
- VD800N5 charger 5 V
- VGR VacuGraph™ software
- WUSB_AC001 cable USB-C to USB-A, 1.0 m
- WUSB_CC002 cable USB-C to USB-C, 2.0 m
- VD81SWSW1 Hose Nozzle, G1/4 male thread,
inside diameter 6 - 8 mm, brass-nickel