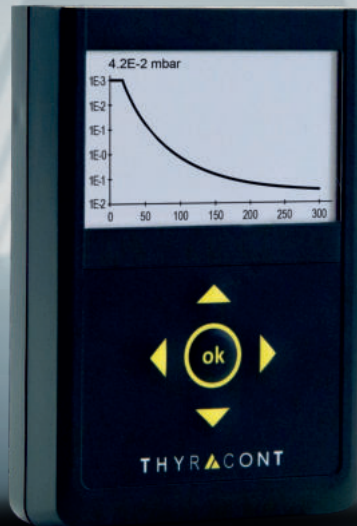


VD850 - Compact Vacuum Meter Piezo / Pirani, data logger

Absolute Pressure 1200 to 5×10^{-5} mbar,

Relative Pressure max. -1060 ... +340 mbar



Overview VD800-series vacuum meters

- Big graphic display
- Intuitive menu-driven handling
- Direct graphical visualization of pressure curves
- Integrated data logger for saving multiple measurement series with RTC data
- Storage of minimum and maximum pressures achieved during measurement
- Automatic switch-off or continuous operation
- Optical and acoustical alarm when reaching a predefined threshold
- Charging per standard USB-C cable
- Quick and easy data-transfer to PC, tablet, or smartphone via USB-C or wireless via Bluetooth® LE (optional)
- Pressure units: mbar, Torr, hPa
- Selectable menu language
- Adjustable logging rate of 20 ms to 60 s for fast processes
- VacuGraph™-Software: To read-out data logger, and to visualize, analyze, and save measurements

Overview VD850 vacuum meter

- Wide measuring range of combined piezo/Pirani sensor
- Measurement of absolute and relative pressure
- Pirani sensor with durable, elastic helix filament
- Integrated metal screen for protection against contamination such as oil and solvent vapors
- High resolution and precision in whole measuring range, ideal e. g. for the maintenance of vacuum pumps and systems
- Stable measuring values due to optimized temperature compensation
- Excellent long-term stability
- Leak-rate calculation via rate of rise measurement
- Adjustable gas type correction factor
- Long battery performance of min. 48 hours
- Calibrated exchange sensor heads for quick and easy replacement by trained personnel

VD850 - Compact Vacuum Meter Piezo / Pirani, data logger

Absolute Pressure 1200 to 5×10^{-5} mbar,

Relative Pressure max. -1060 ... +340 mbar

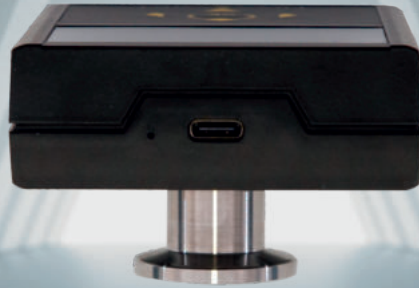
Technical Data

Measurement Principle	Piezoresistive / heat conducting Pirani (Pirani depending on gas type)
Measurement Range	Absolute pressure 1200 - 5×10^{-5} mbar (900 - 5×10^{-5} Torr) Relative pressure max. -1060 ... +340 mbar (-795 ... +255 Torr)
Max. Overload	10 bar abs.
Accuracy	Absolute pressure: 1200 ... 40 mbar: 0,3% f. s. (of scale value) 40 ... $1,0 \times 10^{-3}$ mbar: 10% f. r. (of measured value) Relative pressure: 0,25% f. spane
Repeatability	1200 ... 40 mbar: 0,1% f. s. (of scale value) 40 ... 1×10^{-2} mbar: 2% f. r. (of measured value)
Resolution	1200 ... 1000 mbar: 1 mbar 1000 ... 2,0 mbar: 0,1 mbar 2,0 ... 1×10^{-2} mbar: 3 digits 1×10^{-2} ... 1×10^{-4} mbar: 2 digits 1×10^{-4} ... 5×10^{-5} mbar: 1 digit
Materials with Vac.-Contact	Stainless steel 1.4307, nickel, tungsten, SiO_2 , glass, SnAg Lot, Al_2O_3 ceramic, epoxy
Logging Rate	20 ms ... 60 s
Environment	Interior, degree of contamination max. PD 2 / Rel. humidity max. 80% up to 30 °C, max. 50% up to 40 °C / non-condensing
Operating Temperature	+5...+50 °C
Storage Temperature	-20...+60 °C
Power Supply	5VDC via USB-C
Operating Time	Internal Li-battery: min. 100 hrs
Interfaces	USB 2.0, optional Bluetooth® LE
Vacuum Connection	DN 16 ISO-KF
Display	Graphic display, resolution 400 x 240
Protection Class	IP 40
Weight	250 g

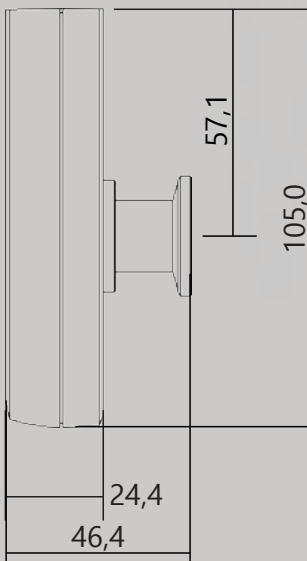
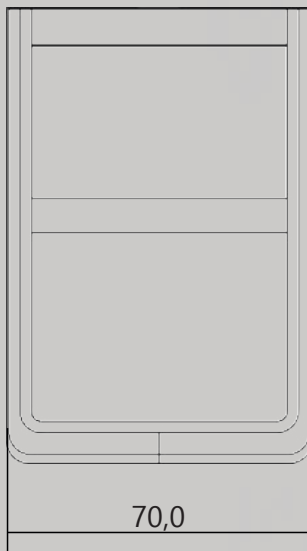
VD850 - Compact Vacuum Meter Piezo / Pirani, data logger

Absolute Pressure 1200 to 5×10^{-5} mbar,

Relative Pressure max. -1060 ... +340 mbar



Dimensions in mm



Model designations

- VD850 Compact vacuum meter
DN 16 ISO-KF flange
incl. WUSB_AC001
- VD850BT Compact vacuum meter
DN 16 ISO-KF flange
Bluetooth® LE
incl. WUSB_AC001

Accessories

- VD800CASE protective plastic case
- VD800SH silicone protective cover
- B_VD850 replacement sensor head
- VD800N5 charger 5 V
- VGR VacuGraph™ software
- WUSB_AC001 cable USB-C to USB-A, 1.0 m
- WUSB_CC002 cable USB-C to USB-C, 2.0 m

Further accessories as well as detailed information about our product family can be found in our VD800 brochure.